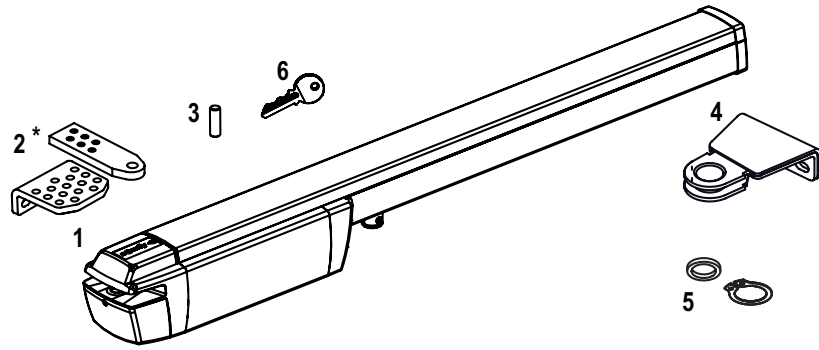


Ixengo L 24V

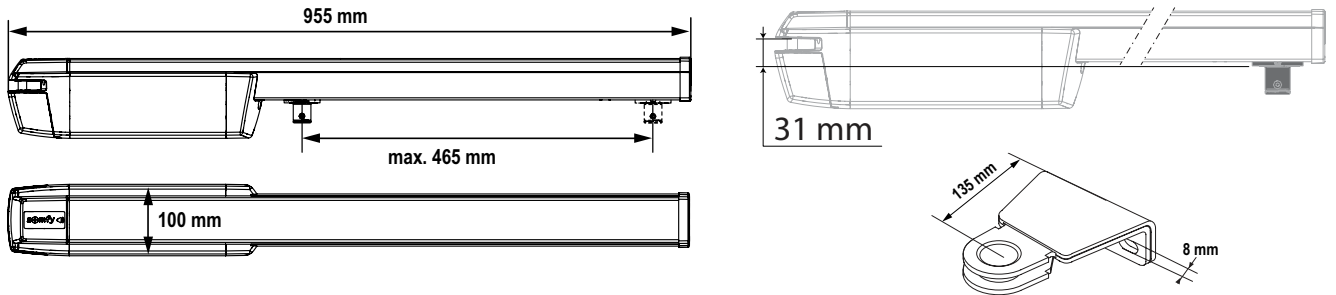
- FR** Manuel d'installation - Illustrations
- EN** Installation instructions - Illustrations
- DE** Installationsanleitung - Abbildungen
- NL** Installatiegids - Illustraties
- PL** Instrukcja montażu - Ilustracje
- RU** Руководство по установке - Иллюстрации
- CS** Návod k montáži - obrázek
- RO** Manual de instalare - Ilustrații
- IT** Manuale d'installazione - Illustrazioni

- ES** Manual de instalación - ilustraciones
- EL** Εγχειρίδιο εγκατάστασης - Εικόνες
- TR** Montaj kılavuzu - örneklemeler
- FA** راهنمای نصب
- AR** دليل التركيب

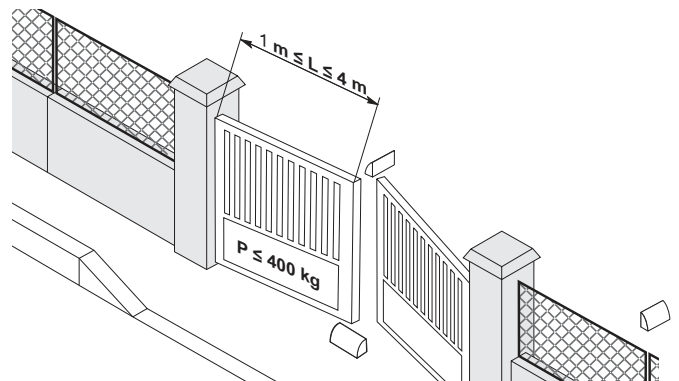
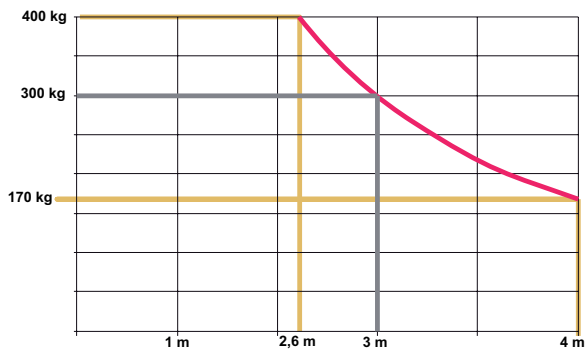
1



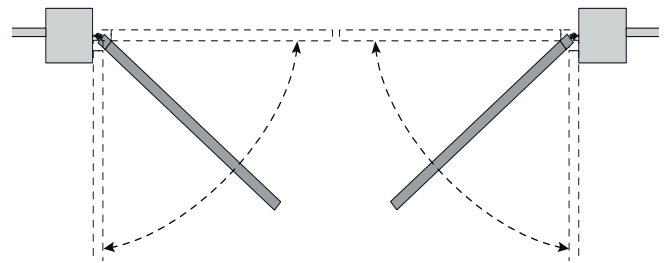
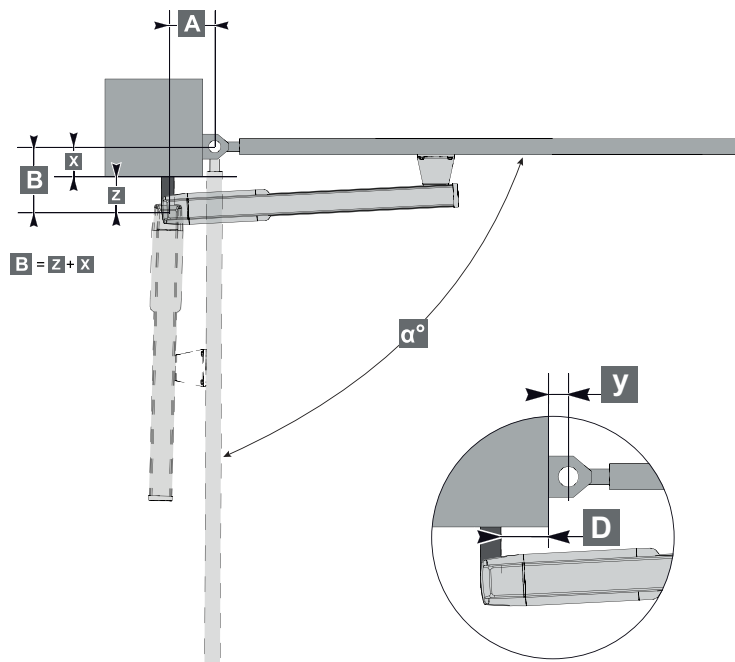
2



3



4

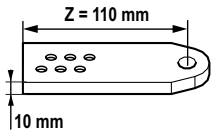


Fix&GO



4a

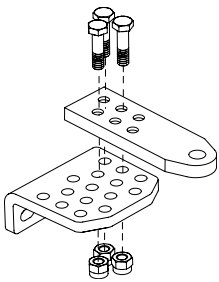
Ref. 9019511



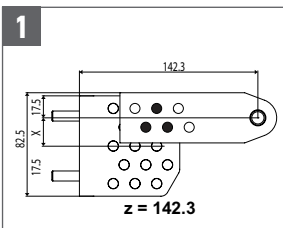
| α° | X (mm) | B (mm) | A max speed | A recommended | A max |
|-------------------------------|--------|--------|-------------|---------------|-------|
| $\alpha^\circ \leq 90^\circ$ | 20 | 130 | 90 | 130 | 230 |
| | 40 | 150 | 90 | 150 | 230 |
| | 60 | 170 | 90 | 170 | 210 |
| | 80 | 190 | 90 | 190 | 210 |
| | 100 | 210 | 90 | 210 | 210 |
| | 120 | 230 | 90 | 210 | 210 |
| | 140 | 250 | 90 | 210 | 210 |
| $\alpha^\circ \leq 115^\circ$ | 20 | 130 | 130 | 130 | 230 |
| | 40 | 150 | 130 | 150 | 230 |
| | 60 | 170 | 130 | 170 | 190 |
| | 80 | 190 | 130 | 190 | 190 |
| | 100 | 210 | 130 | 170 | 170 |
| | 120 | 230 | 130 | 170 | 170 |
| | 140 | 250 | 130 | 170 | 170 |
| $\alpha^\circ \leq 125^\circ$ | 20 | 130 | 150 | 150 | 210 |
| | 40 | 150 | 170 | 170 | 210 |
| | 60 | 170 | 170 | 170 | 190 |
| | 80 | 190 | 170 | 190 | 190 |
| | 100 | | | | |

4b

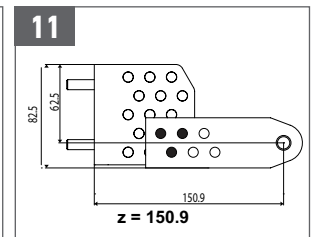
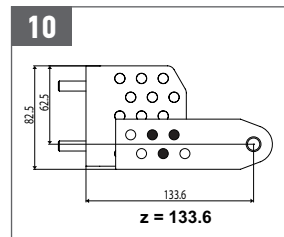
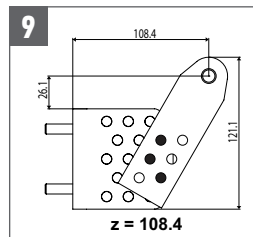
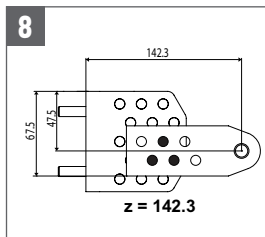
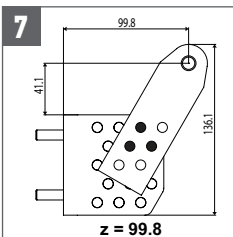
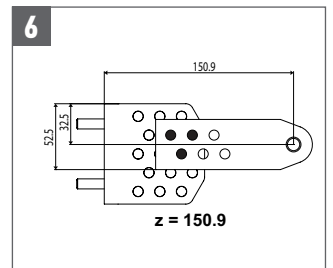
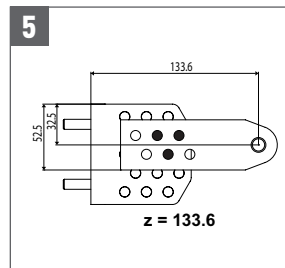
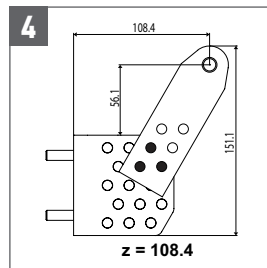
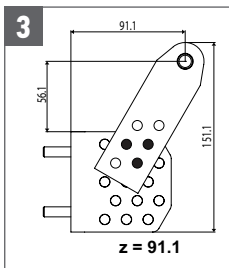
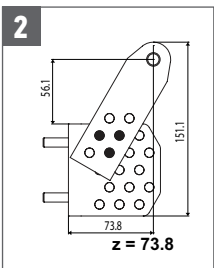
Ref. 9019503



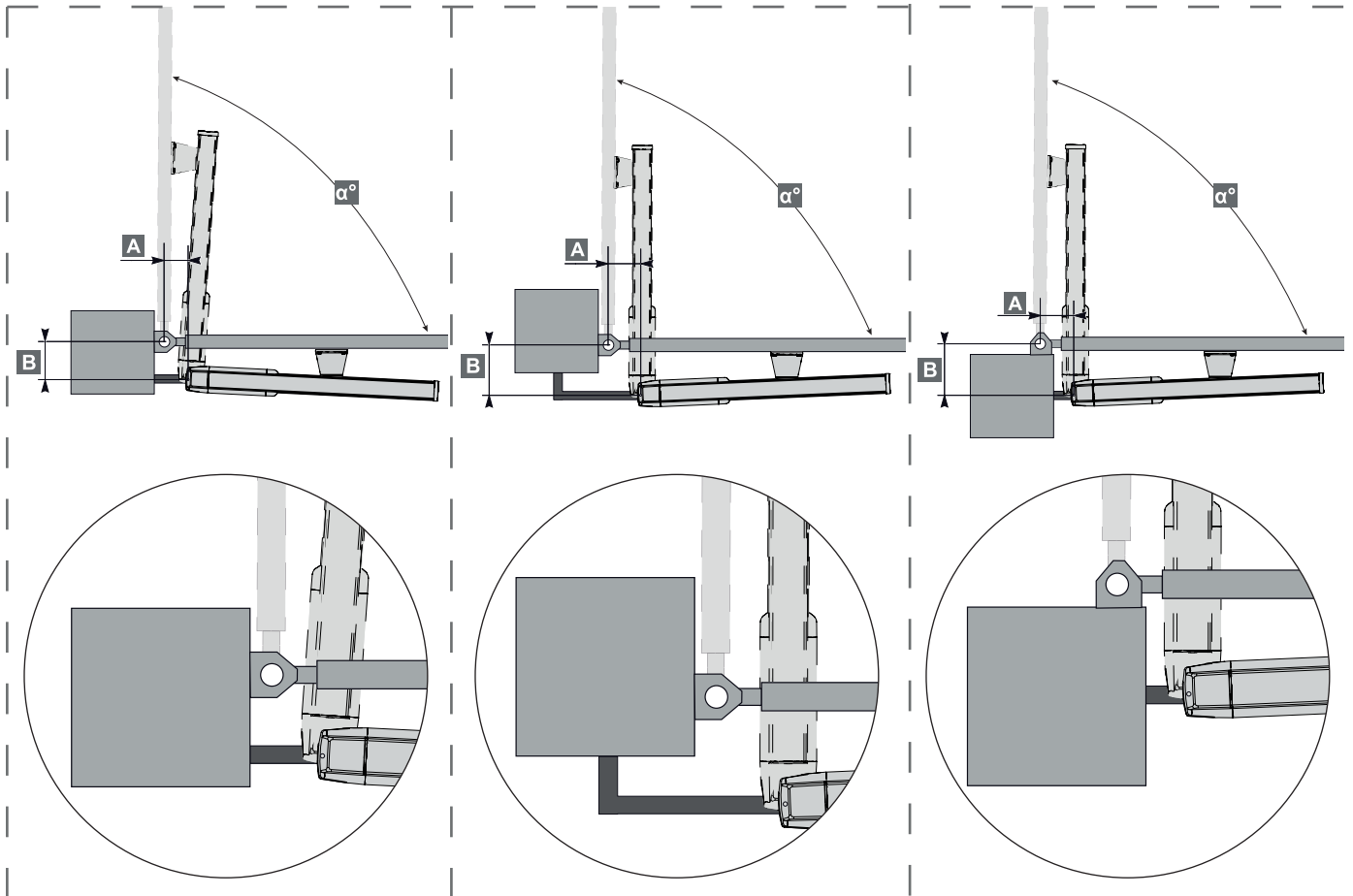
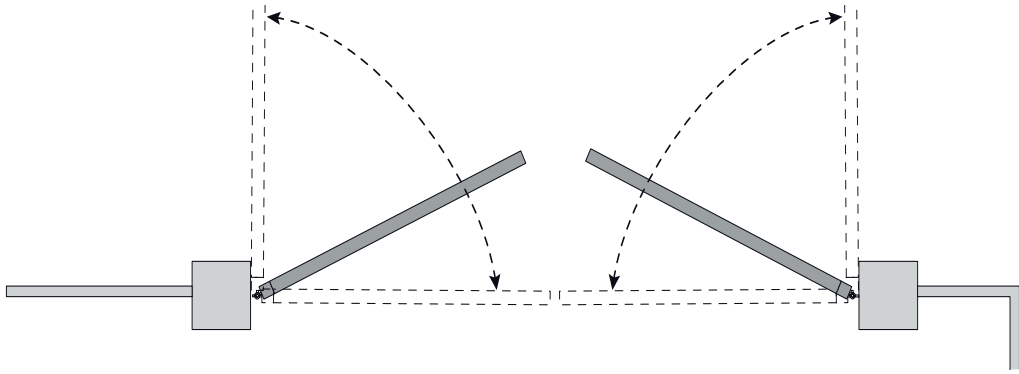
$73.8 \text{ mm} \leq z \leq 150.9 \text{ mm}$



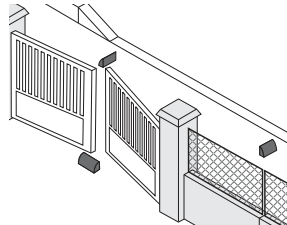
| α° | X (mm) | Max speed | | | Recommended | | Max closing force | | | |
|-------------------------------|--------|-----------|-----|---|-------------|-----|-------------------|-----|-----|----|
| | | B | A | | B | A | B | A | | |
| $\alpha^\circ \leq 90^\circ$ | 20 | 94 | 75 | 2 | 154 | 153 | 10 | 171 | 253 | 11 |
| | 40 | 114 | 75 | 2 | 174 | 173 | 10 | 191 | 253 | 11 |
| | 60 | 134 | 75 | 2 | 194 | 193 | 10 | 211 | 253 | 11 |
| | 80 | 154 | 75 | 2 | 214 | 213 | 10 | 231 | 203 | 6 |
| | 100 | 174 | 75 | 2 | 174 | 175 | 2 | 251 | 183 | 6 |
| | 120 | 194 | 75 | 2 | 220 | 190 | 7 | 271 | 183 | 6 |
| | 140 | 214 | 75 | 2 | 240 | 190 | 7 | 274 | 163 | 5 |
| $\alpha^\circ \leq 115^\circ$ | 20 | 94 | 115 | 2 | 171 | 173 | 11 | 171 | 253 | 11 |
| | 40 | 114 | 115 | 2 | 174 | 173 | 10 | 191 | 253 | 11 |
| | 60 | 134 | 135 | 2 | 194 | 193 | 10 | 211 | 223 | 6 |
| | 80 | 154 | 135 | 2 | 154 | 155 | 2 | 231 | 223 | 6 |
| | 100 | 174 | 135 | 2 | 208 | 205 | 9 | 251 | 223 | 6 |
| | 120 | 194 | 135 | 2 | 220 | 170 | 7 | 271 | 163 | 6 |
| | 140 | 214 | 135 | 2 | 240 | 170 | 7 | 274 | 163 | 5 |
| $\alpha^\circ \leq 125^\circ$ | 20 | 94 | 135 | 2 | 171 | 173 | 11 | 171 | 203 | 6 |
| | 40 | 114 | 135 | 2 | 174 | 173 | 10 | 191 | 223 | 6 |
| | 60 | 134 | 155 | 2 | 194 | 183 | 5 | 211 | 223 | 6 |
| | 80 | 154 | 175 | 2 | 188 | 185 | 9 | 214 | 203 | 5 |
| | 100 | 174 | 175 | 2 | 200 | 190 | 7 | 200 | 190 | 7 |



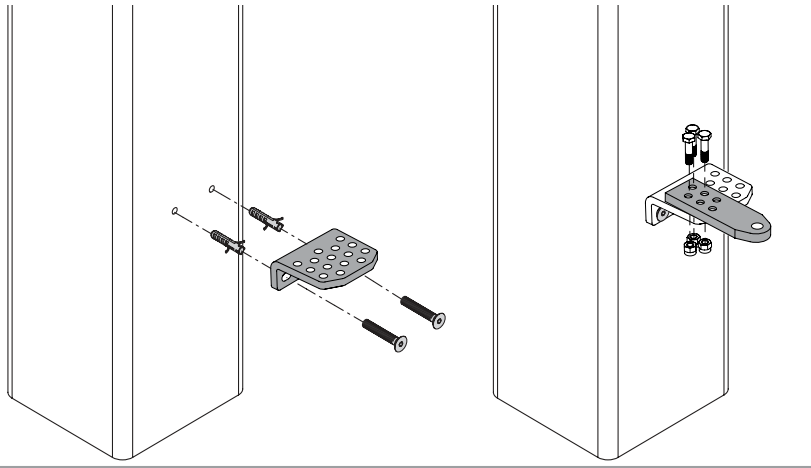
5



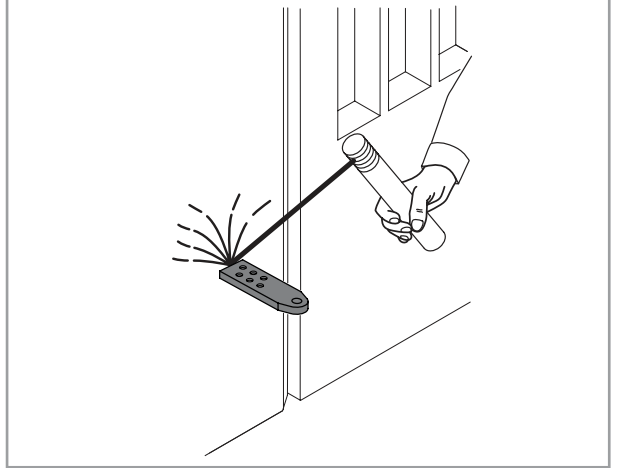
| α° | B (mm) | A (mm) |
|------------------------------|--------|-----------------------|
| $\alpha^\circ \leq 90^\circ$ | 130 | $100 \leq A \leq 220$ |
| | 150 | |
| | 170 | |
| | 190 | |
| | 210 | |
| | 230 | |
| | 250 | |



6a

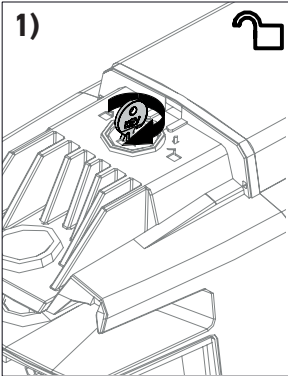


6b

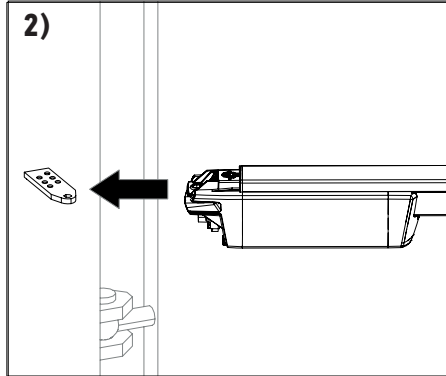


7

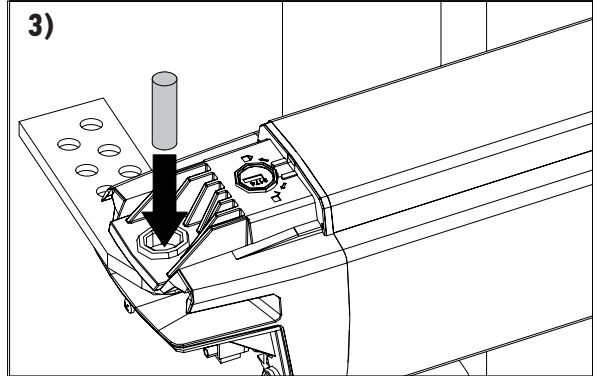
1)



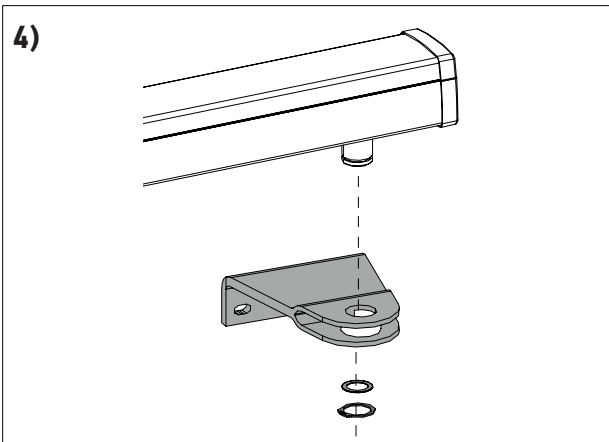
2)



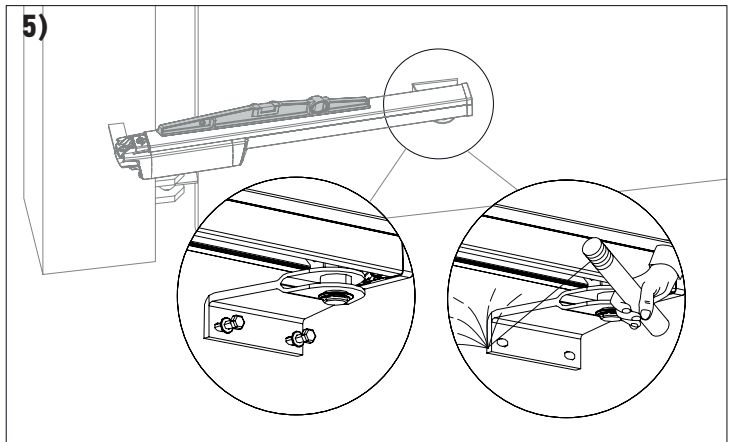
3)



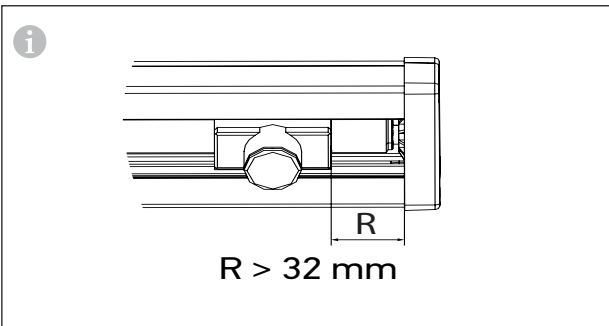
4)



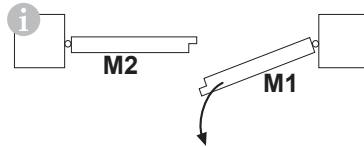
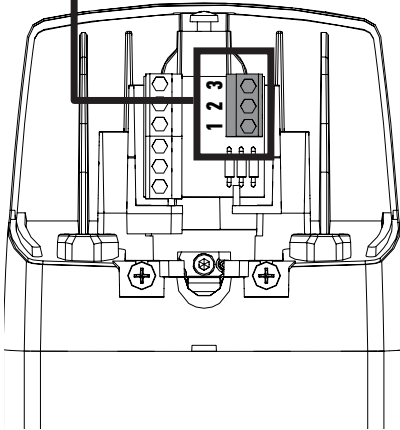
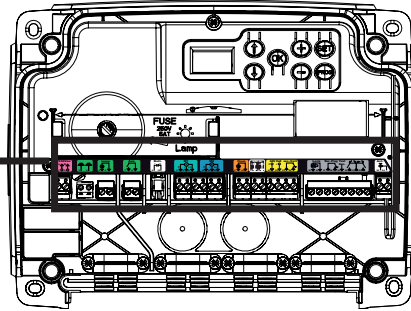
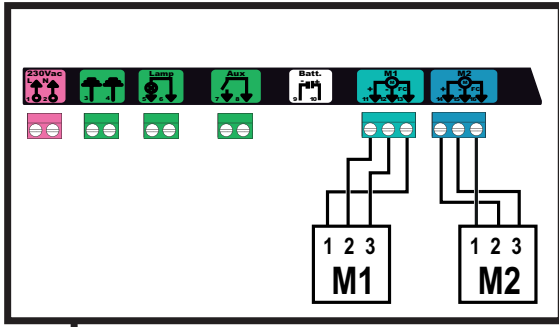
5)



i

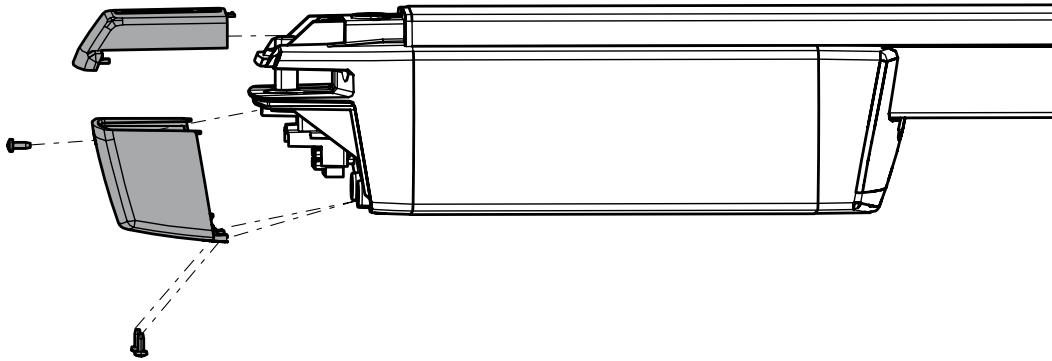


8

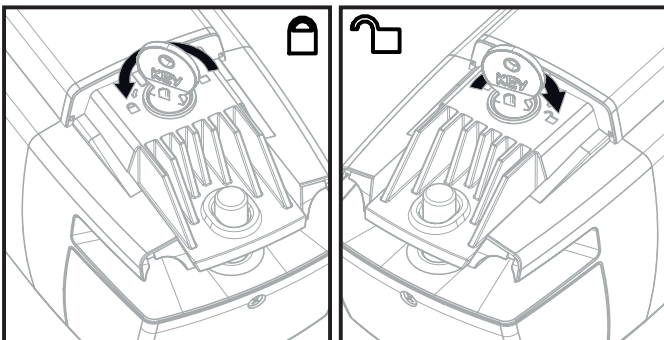


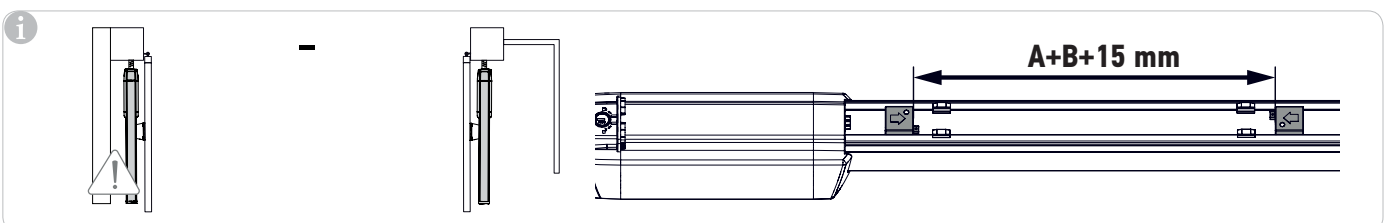
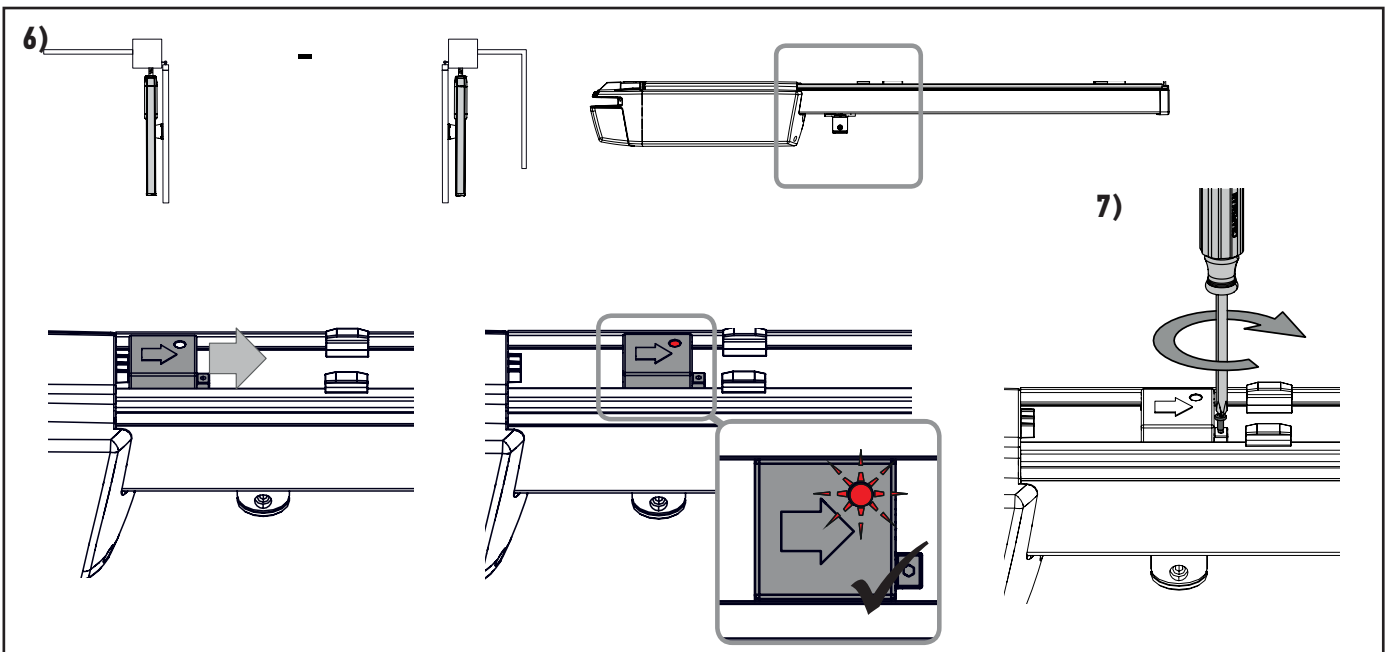
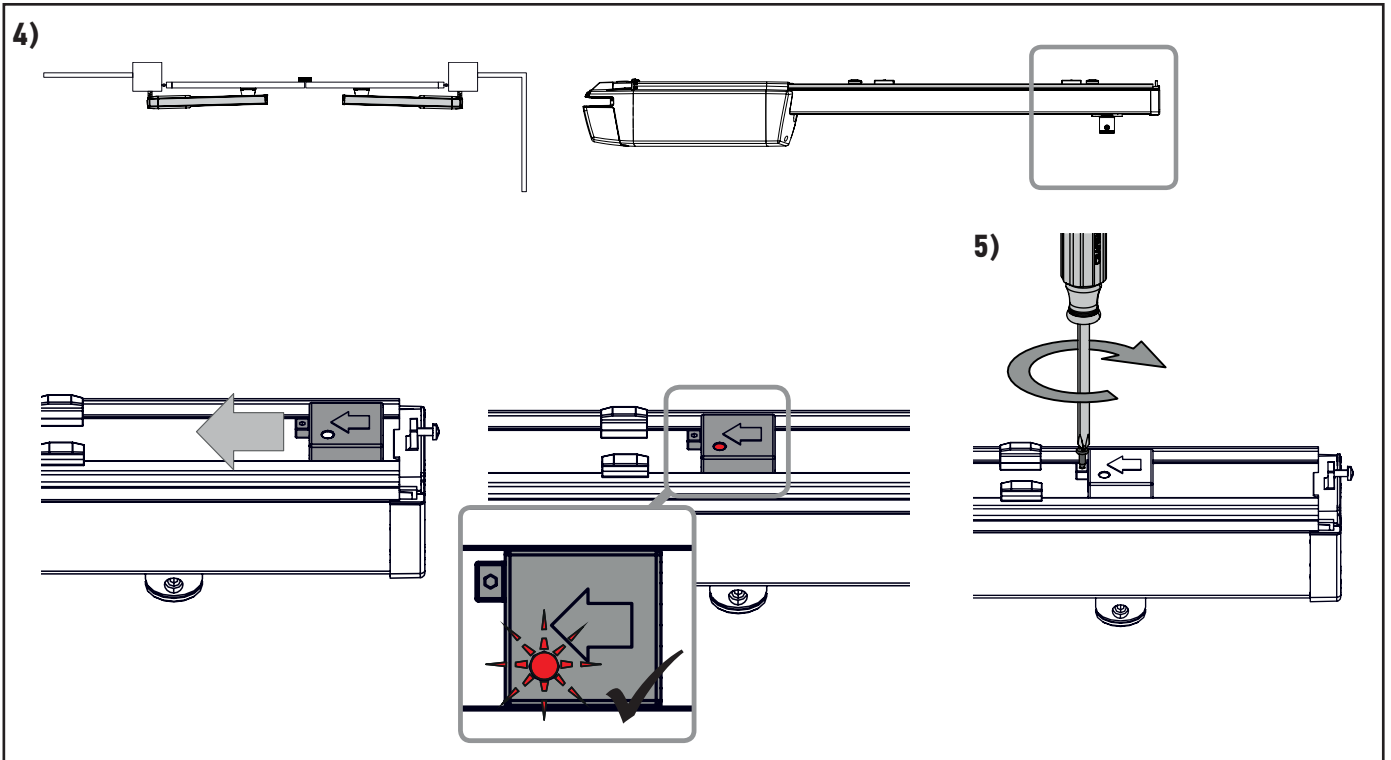
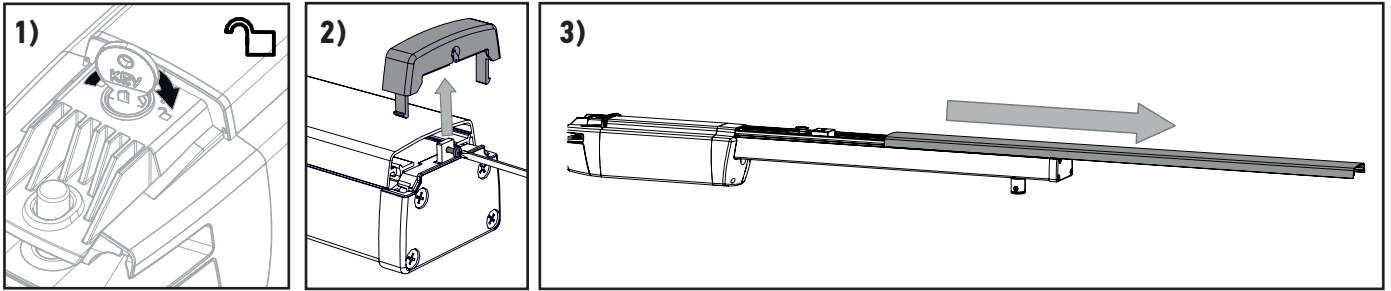
| | | | Motor | Control Box |
|----|---|---------------|-------|-------------|
| M1 | + | Red / rouge | 2 | 11 |
| | - | Black / noir | 3 | 12 |
| | | White / blanc | 1 | 13 |
| M2 | + | Red / rouge | 2 | 14 |
| | - | Black / noir | 3 | 15 |
| | | White / blanc | 1 | 16 |

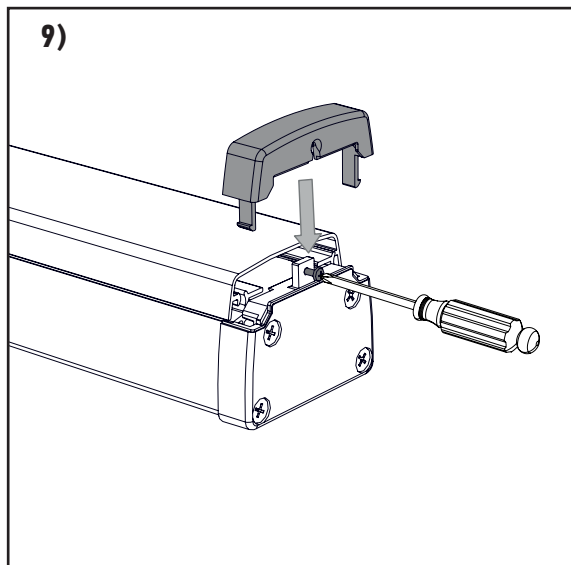
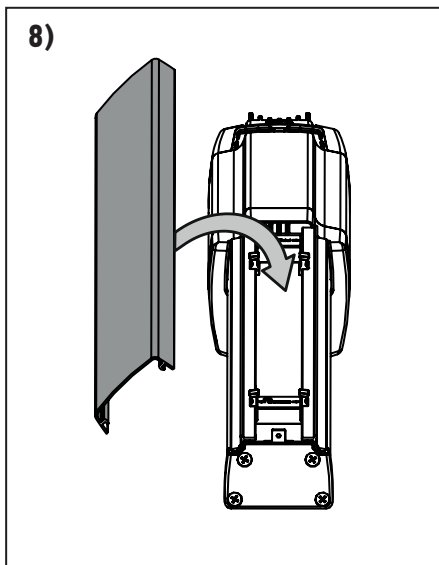
9



10





**SOMFY ACTIVITES SA**

50 avenue du Nouveau Monde

74300 CLUSES

FRANCE

www.somfy.com**somfy**

EAC CE

