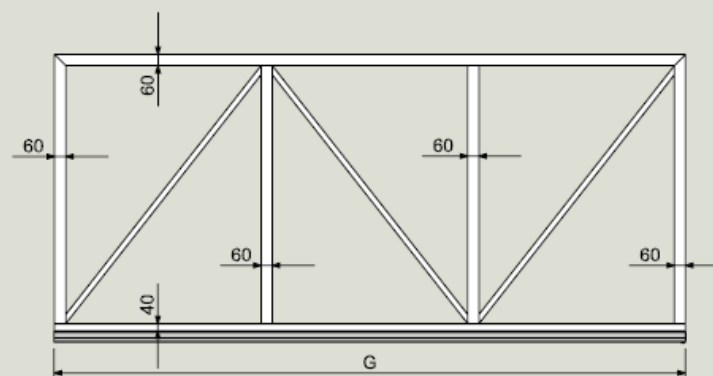


FOLLOW ME 4.25

CODE: 1710900

| | mm; kg | mm; kg | mm; kg | mm; kg | mm; kg | mm; kg | mm; kg |
|------------------|--------|--------|--------|--------|--------|--------|--------|
| A | 2750 | 3000 | 3250 | 3500 | 3750 | 4000 | 4250 |
| backspace | 2722 | 2930 | 3138 | 3347 | 3555 | 3763 | 3972 |
| max. weight gate | 325 kg | 325 kg | 325 kg | 325 kg | 325 kg | 325 kg | 325 kg |
| B | 817 | 900 | 983 | 1067 | 1150 | 1233 | 1317 |
| C | 1217 | 1300 | 1383 | 1467 | 1550 | 1633 | 1717 |
| D | 200 | 200 | 200 | 200 | 200 | 200 | 200 |
| G | 2228 | 2415 | 2603 | 2790 | 2978 | 3165 | 3353 |
| H | 2622 | 2830 | 3038 | 3247 | 3455 | 3663 | 3872 |
| J | 270 | 270 | 270 | 270 | 270 | 270 | 270 |
| K | 353 | 415 | 478 | 540 | 603 | 665 | 728 |
| L | 4067 | 4400 | 4733 | 5067 | 5400 | 5733 | 6067 |

Valid for gate frame 60x40



DOUBLE-QUICK TIME GATE OPERATOR CLOSING & OPENING



GALVANIZED INTERNAL EDGES



SPACE SAVING FEATURE - 36% TAILGATE SPACE



«C» TRACK SERIAL NO. 100% COMPATIBILITY CARRIAGE TESTED



EASY ASSEMBLING



GERMAN STEEL WUPPERMANN



TWIN «C» TRACK CANTILEVER SYSTEM



15 + 15 BOLTS 15 + 15 RIVET NUTS INCLUDED



3 AXIS 2ND CANTILEVER LEAF ADJUSTABLE IN 3 AXES



C 2 HIGH QUALITY BEARINGS



32.000 cyclus

32.000 CYCLUS TESTED & PROVEN



CARRIAGES CENTER HOLES MILLED NOT LASERED



270 g/m²

HOT DIPPED GALVANIZED



MULTI RIBBED SECTIONS



+ 50°C TESTED & PROVEN



JAPANESE ROBOTICS FANUC



- 37°C TESTED AND PROVEN



UNIVERSITY OF TECHNOLOGY - BRNO



BUILD IN FLYING HOLE PUNCH EVERY 400 mm



MADE IN CZECH REPUBLIC

